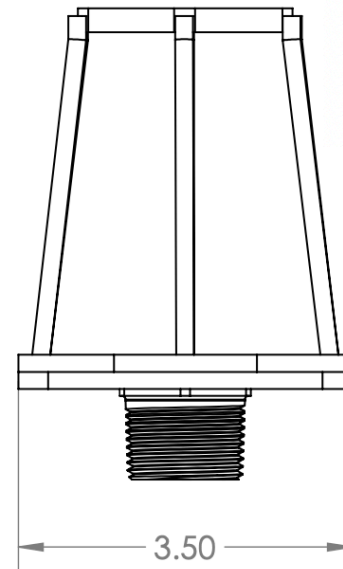
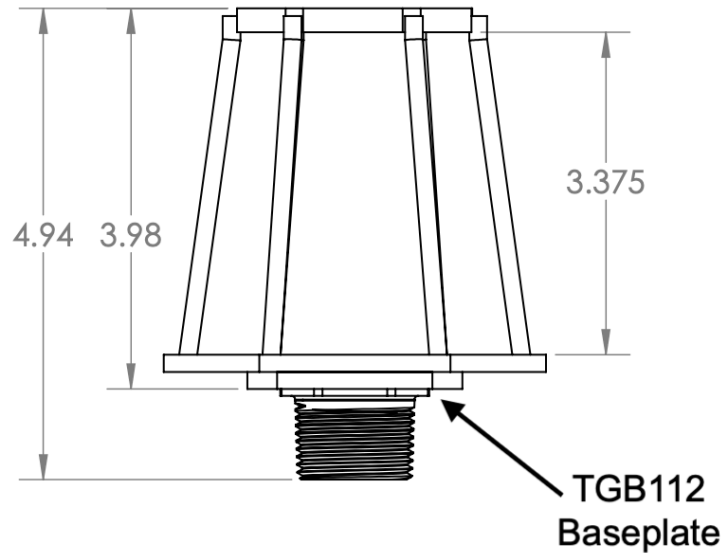


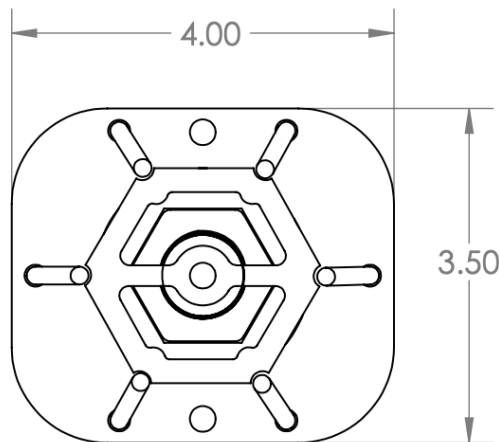
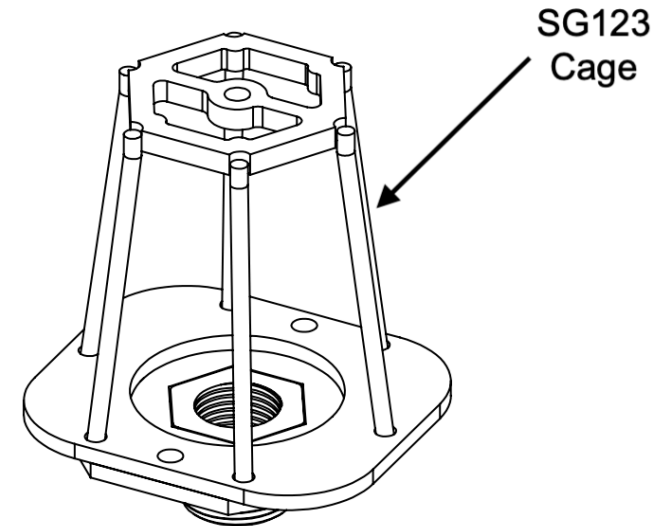
2

1

B



B



TG112

ThreadGUARD

The ThreadGUARD is one of SprinkGUARDS two options for new construction. It is available in (3) different baseplate sizes listed below. During the fire sprinkler system design process, all fittings that require a sprinkler head must be specified at least one size larger. For example, a location that calls for a 3/4" sprinkler head will require a 1" NPT fitting for the ThreadGUARD baseplate to thread into. Once the system has been installed the SG123 Cage is then bolted to the base plate, and can be easily removed for system maintenance. All three baseplate sizes use the same SG123 Cage show in these images.

- TGB112 (1" x 1/2")
- TGB134 (1" x 3/4")
- TGB3412 (3/4" x 1/2")

Note: If you have new construction ESFR heads that need protected please refer to our TG520 (ESFR ThreadGUARD) or WG520 (ESFR WeldGUARD)

www.sprinkguard.com info@sprinkguard.com 877-274-7976

Copyright 2023

2

1

A

A

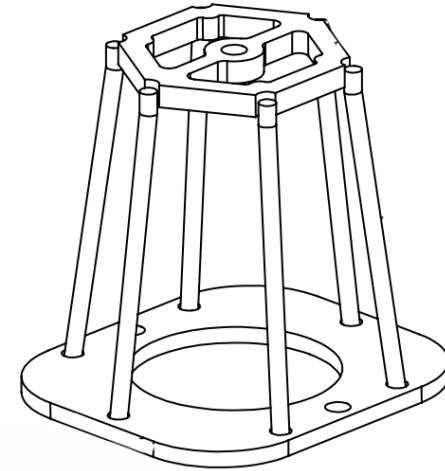
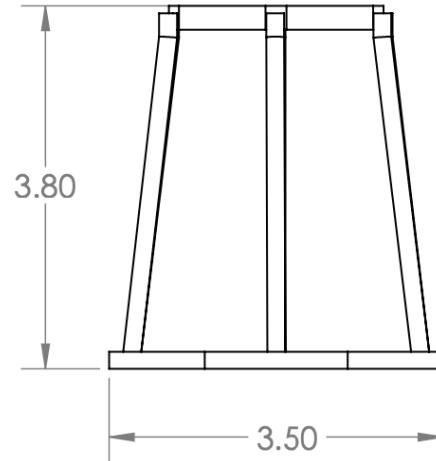
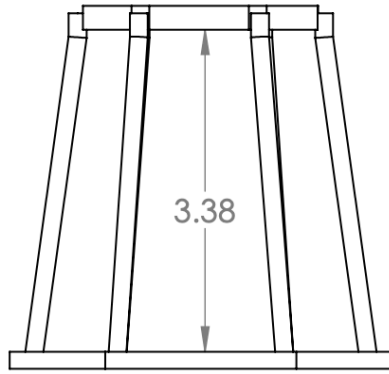
2

1



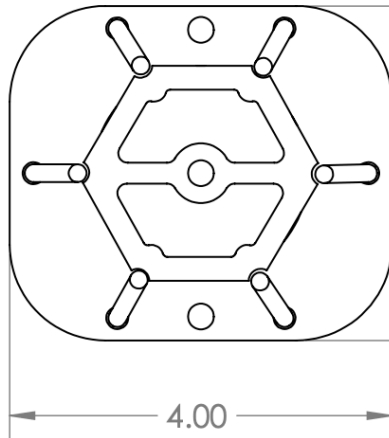
B

B



A

A



SG123 CAGE

The SG123 Cage is designed to be used on the ThreadGUARD and WeldGUARD base plates as well as the SG143 Adjustable Branch Line Guard.

2

1

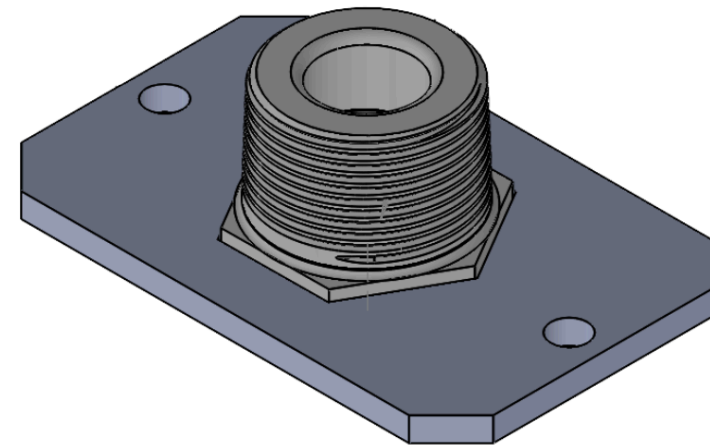
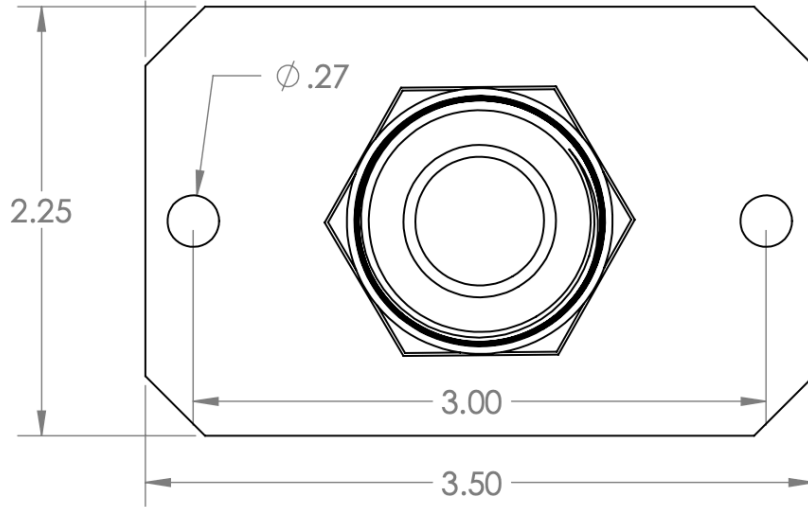
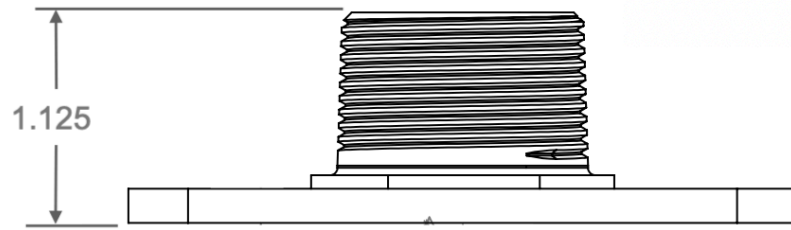
2

1



B

B



TGB112 Base plate is used in conjunction with a 1/2" NPT sprinkler head and threads into a 1" NPT fitting. Once the baseplate and sprinkler head have been properly installed into the system, the SG123 Cage is bolted directly onto the TGB3412 base plate.

A

A

TGB112 THREADGUARD BASE PLATE

www.sprinkguard.com info@sprinkguard.com 877-274-7976

Copyright 2023

2

1

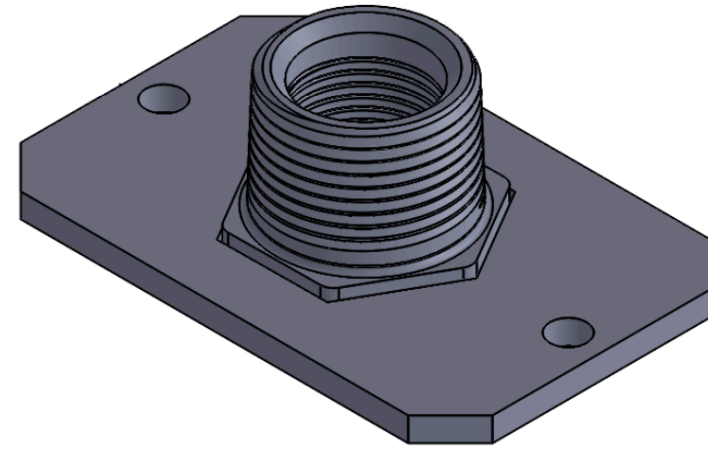
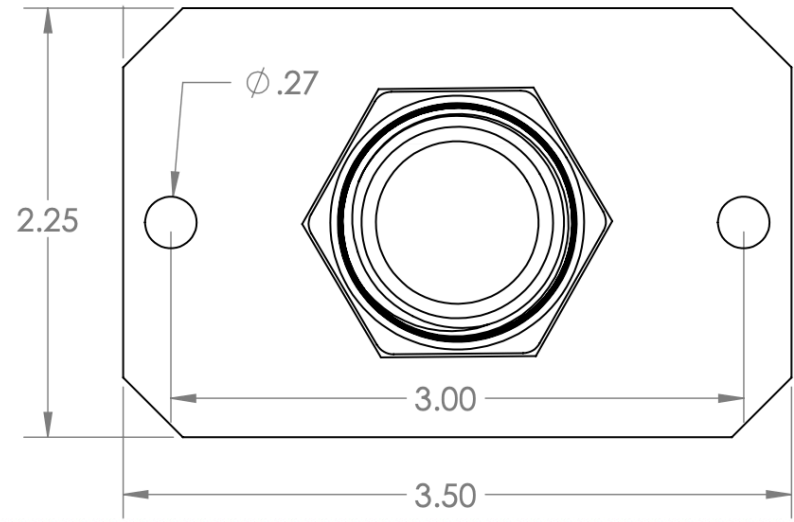
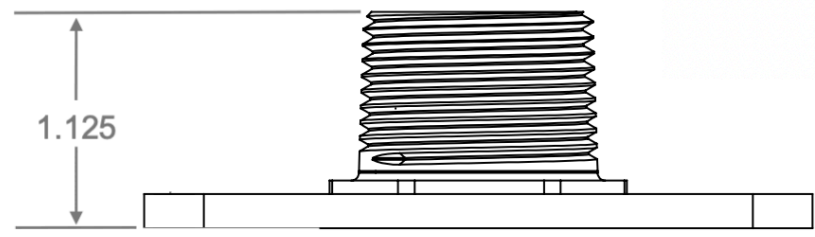
2

1



B

B



TGB134 Base plate is used in conjunction with a 3/4" NPT sprinkler head and threads into a 1" NPT fitting. Once the baseplate and sprinkler head have been properly installed into the system, the SG123 Cage is bolted directly onto the TGB134 base plate.

A

A

TGB134 THREADGUARD BASE PLATE

www.sprinkguard.com info@sprinkguard.com 877-274-7976

Copyright 2023

2

1

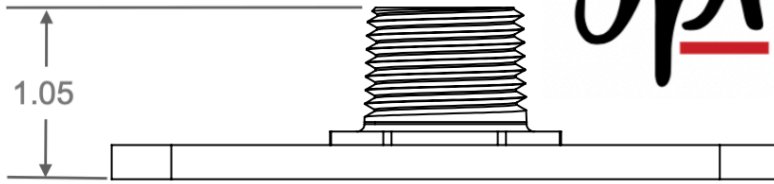
2

1

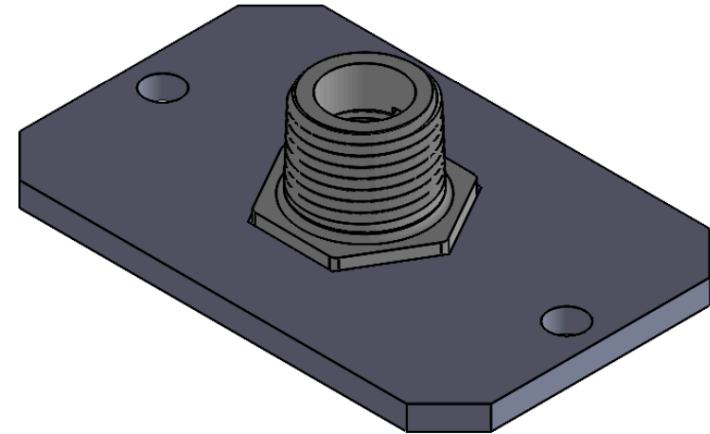
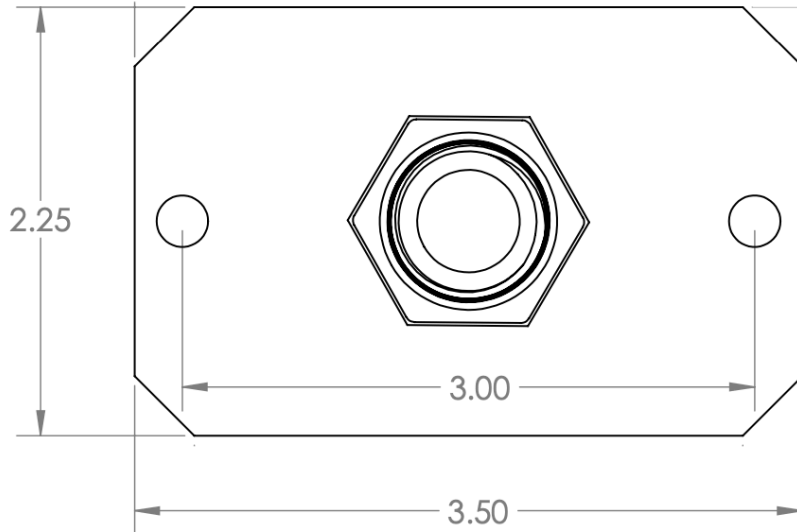


TGB3412 Base plate is used in conjunction with a 1/2" NPT sprinkler head and threads into a 3/4" NPT fitting. Once the baseplate and sprinkler head have been properly installed into the system, the SG123 Cage is bolted directly onto the TGB3412 base plate.

B



B



A

TG3412 THREADGUARD BASE PLATE

A

www.sprinkguard.com info@sprinkguard.com 877-274-7976

Copyright 2023

2

1